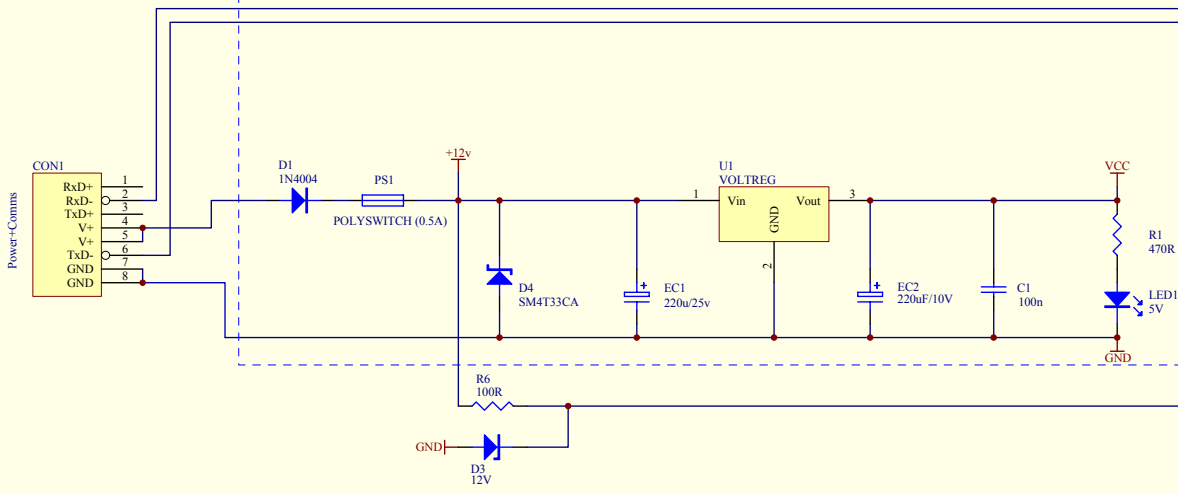
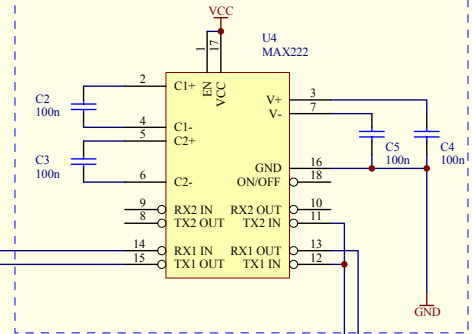


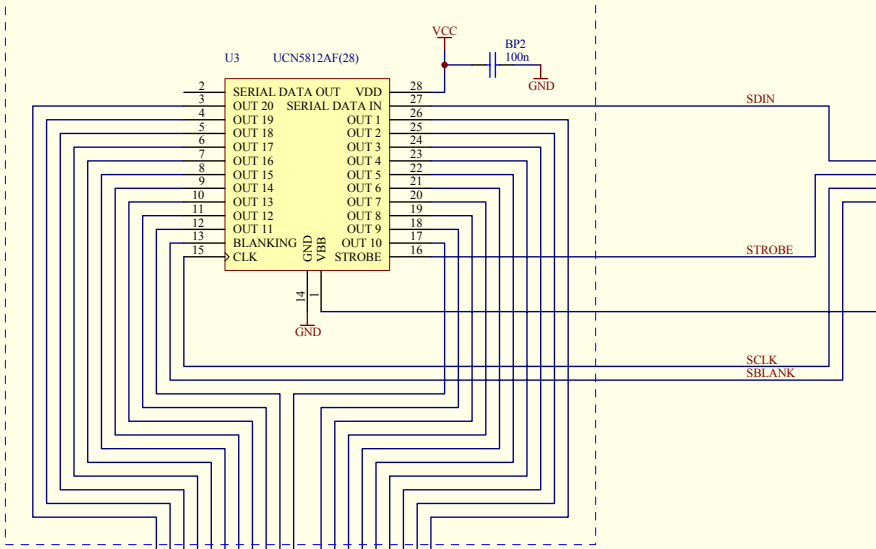
### 5 Volt Regulator



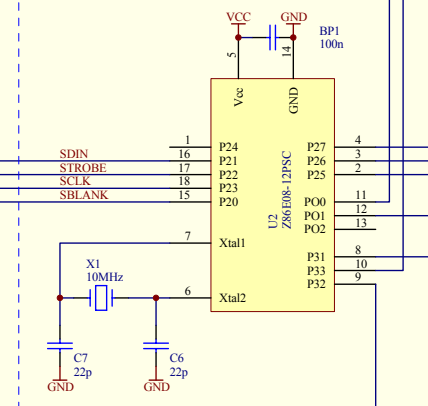
### RS232C COMMUNICATION INTERFACE



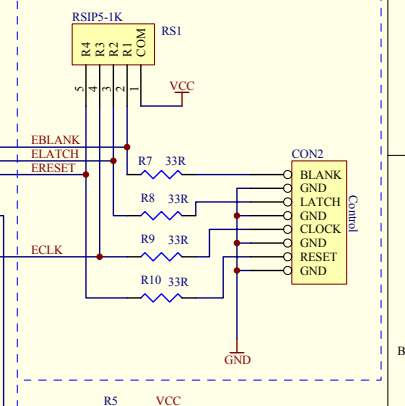
### 20-bit VFD Driver & Latch



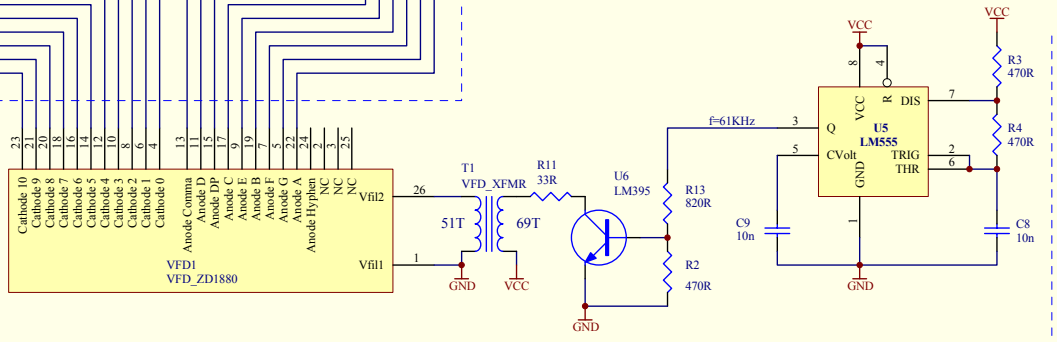
### DISPLAY CONTROLLER



### DIGITAL COUNTER/LATCH SIGNALS



### VFD CONTROL and DISPLAY



Xfm1 Construction.  
 The transformer is wound onto a pressed ferrite powdered bobbin measuring 15mm high, 5mm inner barrel and 10mm outer edges.  
 Primary winding: 69 Turns of 32 gauge enamelled wire or thinner.  
 Secondary winding: 51 Turns of 32 gauge enamelled wire or thinner over the top of the primary winding.  
 The ratio of 69:51 should be maintained. If twice as many winds can be applied to the bobbin then drive current will be reduced and the need for the LM395 driving transistor can be removed. The NE555 will be capable of driving the transformer direct although a Back-EMF diode across the primary will be needed for the NE555's protection.

Title			
<b>11 Digit VFD display with AC Filament drive</b>			
Size	Number	Revision	
A3	<b>C021</b>	<b>EB</b>	
Date:	2-Jan-2003	Sheet of	1 of 1
File:	M:\src\_z8 vfd12_pulse_7805.sch	Drawn By:	KeV