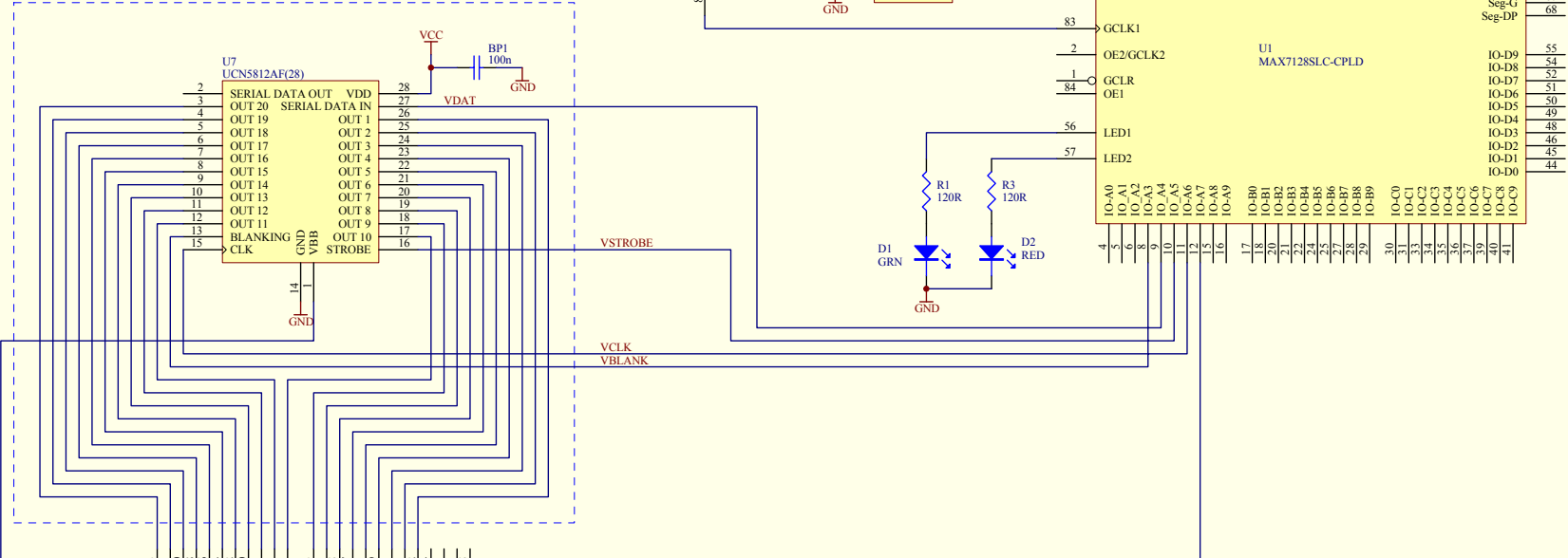
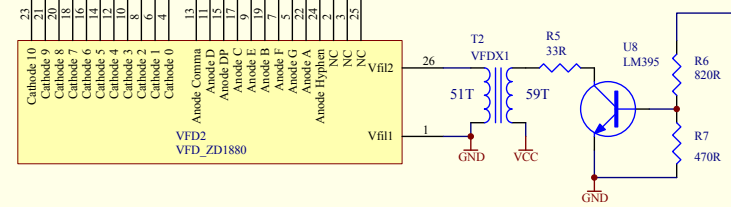
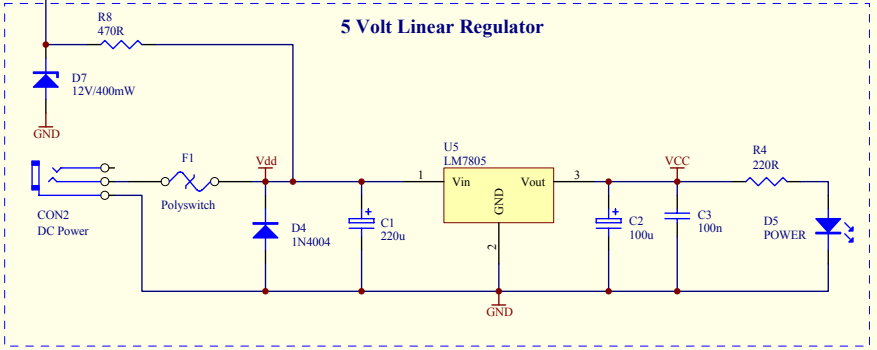


**20-bit VFD Driver & Latch**



**5 Volt Linear Regulator**



Title		
<b>CPLD Counter for VFD modules</b>		
Size A3	Number <b>C026</b>	Revision <b>EA</b>
Date:	2-Mar-2003	Sheet 1 of 1
File:	M:\src\CpldCounter11.Sch	Drawn By: -Kev